

4MP PTZ DOME CAMERA



ENC-HHP7Z-200R-69

FEATURES

30X Optical Zoom
 16X Digital Zoom
 Smart IR up to 200 m
 Onvif Profile (S, G, T)
 Quad Streams
 Audio & Alarm Support
 IP67, PoE++



SPECIFICATION

MODEL	Model No.	ENC-HHP7Z-200R-69
CAMERA	Type	4MP PTZ DOME CAMERA
	Image Sensor	1/2.8", CMOS Progressive 4.0 MegaPixel
	Day/Night	IR Cut Filter with Auto Switch
	Lens Type	Motorized Zoom Lens
	Focus	Auto / Semi Auto / Manual
	Iris Type	P Iris (Optional DC Auto Iris), Auto/ Manual
	Focal Length	5 ~ 150 mm (Optional 4.5 ~ 135 mm)
	Angle of View (H)	55.6° ~ 2.0° (Optional 60.7° ~ 2.2°)
	Angle of View (V)	32.7° ~ 1.1° (Optional 35.7° ~ 1.2°)
	Angle of View (D)	64.5° ~ 2.2° (Optional 70.4° ~ 2.5°)
	Aperture Range	F1.6 ~ F4,3
	Optical Zoom	30X
	Digital Zoom	16X
	Zoom Speed	4s
	Electronic Shutter	Auto/Manual, 1s ~ 1/100,000s
	Min. illumination	Color: 0.001 lux @ F1.6, B/W: 0 Lux with IR on
	AGC	Auto / Manual
	Digital Noise Reduction	2D & 3D DNR, Auto / Manual
S/N Ratio	≥55 dB	
Defog	Smart Defog	
WDR	120 dB	
Smart IR	Up to 200 m	
Wavelength	850nm	

4MP PTZ DOME CAMERA



ENC-HHP7Z-200R-69

MODEL	Model No.	ENC-HHP7Z-200R-69
	Type	4MP PTZ DOME CAMERA
VIDEO	Max. Resolution	2592x1520
	Video Compression	H.265+, H.265, H.264, MJPEG
	Frame Rate	Main Stream: (2592x1520) @ 25/30fps, (1920x1080, 1280x720) @ 50/60fps Sub Stream: (1920x1080, 1280x720, 704x576) @ 25/30 fps Third Stream: (640x480, 352x288, 320x240, 176x144) @ 25/30 fps Fourth Stream: (640x480, 352x288, 320x240, 176x144) @ 25/30 fps (Optional)
	Stream Settings	i-Frame, PAL/NTSC, Frame Rate, SVC
	Video Bit Rate	10 kbps ~ 12 Mbps
	Bitrate Type	CBR, VBR
	Image Settings	Brightness, Contrast, Saturation, Sharpness, Day/Night (Color, Mono, Auto), Flip/Mirror/Rotation, Multiple Scene & Profile
	White Balance	Auto, Day/Night, Tungsten, Manual
	HLC	Supported
	BLC	Supported
	OSD	Total 8 regions
	OSD Type	Title, Week, Date, Time, Text with different colors and adaptable sizes, Image overlay
	ROI	Up to 8 regions
	Privacy Masking	Up to 40 regions (each scene up to 8)
EIS	Supported	
AUDIO	Audio Compression	G.711U, G.711A, RAW_PCM
	Audio Bit Rate	8kbps, 16kps
	Audio I/O	1/1
SMART	Behavior Detection	Intrusion (Perimeter), Crossline (Tripwire), Double Crossline (Double Tripwire)
	Intelligent Identification	Loitering, Multi Loitering, Abandoned Object (Object Left), Missing Object (Object Lost)
	Statistical Analysis	Face Detection, Human & Vehicle Detection (Capture), Abnormal Speed, Wrong Way Detection, Illegal Parking
	Alarm Management	Motion Detection, Tampering (Masking), Input & Output Event, Network Alarm, Disk Alarm, Day Night Switch Alarm, Abnormal Audio Alarm, Pre/Post Alarm Recording, Alarm Recording/Snapshot
	Alarm Notifications	E-mail, HTTP, FTP, SD Card & Alarm Out (Event Notification/ Recording/ Snapshot upload through E-mail, HTTP, FTP & SD Card)
	Auto Tracking	Auto Tracking Supported **Will be available in next version
INTERFACE	Protocols	TCP/IP, UDP, IPv4, IPv6, ICMP, HTTP, HTTPS, FTP, DHCP, DNS, DDNS, RTP, RTSP, RTCP, PPPoE, NTP, UPnP, SMTP, IGMP, 802.1X, Unicast, Multicast, QoS, ARP, SNMP, Telnet, SSL/TLS1.2
	Security	TLS Video Encryption, IP Filter, User Authentication (Multiple Privilege Level), 802.1X Authentication (EAP-MD5), HTTPS Authentication, RTSP Authentication, Digest Authentication, User Access Log
	Compatibility	ONVIF (S, G, T), SDK, CGI
	Network	1 RJ45 10M/100M self adaptive Ethernet port
	Alarm Interface	7 Input / 2 Output
	Edge Storage	SD card slot, up to 256 GB
	ANR	Supported
	Built-in Heater	Supported
	Fan	Supported
	Max. User	32
PAN AND TILT	Client Application	EyeGuard
	Pan Range	360° (Endless)
	Pan Speed	Pan Manual Speed: 0.1°~240°/s, Pan Preset Speed: 300°/s
	Tilt Range	-10° ~ +90° (Auto-Flip)
	Tilt Speed	Tilt Manual Speed: 0.1° ~ 180°/s, Tilt Preset Speed: 300°/s
	Preset Speed	±0.2
	Number of Presets	400
	Power off Recovery	Supported
	PTZ Mode	6 Track, 12 Scan, 12 Patrol (up to 12 Presets per Patrol)
PTZ Status Display	Supported	

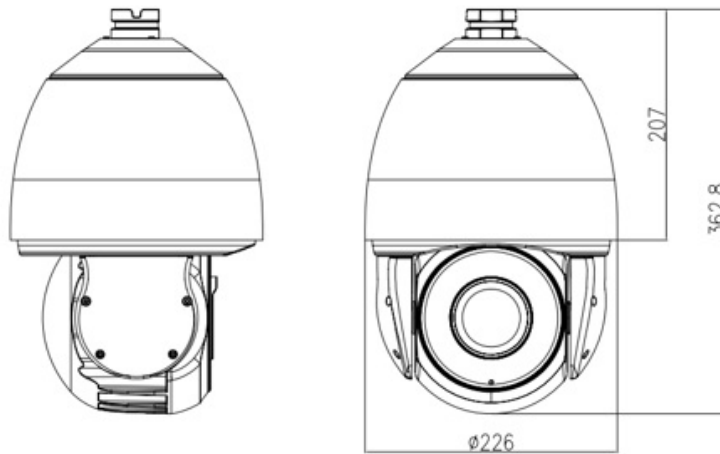
4MP PTZ DOME CAMERA



ENC-HHP7Z-200R-69

MODEL	Model No.	ENC-HHP7Z-200R-69
	Type	4MP PTZ DOME CAMERA
GENERAL	Power Supply	DC 36V (Default) / AC 24V, PoE++ (IEEE 802.3bt)
	Power Consumption	< 45 W
	Working Temperature	-40°C ~ 70°C
	Working Humidity	<95%RH
	Ingress Protection	IP67
	Vandal Resistant	IK10(Housing)
	Surge Protection	TVS6000V
	Reset Button	Supported
	Dimensions	Φ226 × 362.8 mm
	Net Weight	5.5 kg

Dimension Unit : mm



ORDERING INFORMATION

Part Number	Description	Standard Quantity
ENC-HHP7Z-200R-69	4MP IR IP H.265 High Speed Dome with 30X Optical Zoom, PoE++ , SD Card Slot, WDR, Smart Analytics, Wiper and 200m IR Support	1
ENB-BCPW66	Wall Mount Bracket for PTZ Camera	1
ENB-BCPP68	Pendant Mount Bracket for PTZ Camera	1
ENB-BCPH66	Corner Mount Bracket for PTZ Camera	1
ENB-BCPV66	Pole Mount Bracket for PTZ Camera	1

PACKING INFORMATION

Part Number	Packing Mode	Gross weight(Kg)	Dimension(mm)
ENC-HHP7Z-200R-69	Carton Box	-	-