

5MP FISHEYE DOME CAMERA



ENC-HDO8H-30R-92

FEATURES

1.4 mm Fixed Lens
Smart IR up to 30 m
ONVIF Profile (S, G, T)
Triple Stream
Audio & Alarm Support
PoE



SPECIFICATION

MODEL	Model No.	ENC-HDO8H-30R-92
	Type	5MP FISHEYE DOME CAMERA
CAMERA	Sensor	1/2.7", CMOS Progressive 5.0 MegaPixel
	Day/Night	IR Cut Filter with Auto Switch
	Focal Length	1.4 mm
	Lens Mount	M12
	Focus	Fixed
	Angle of View (H)	180°
	Angle of View (V)	180°
	Aperture Range	F2.0
	Shutter	1s to 1/100,000s
	Minimum Illumination	Color: 0.02 lux @ F2.0; B/W:0 lux with IR
	AGC	Auto / Manual
	Digital Noise Reduction	3D DNR
	S/N Ratio	≥55 dB
	Defog	Smart Defog
	WDR	120 dB
	Smart IR	Up to 30 m
Wavelength	850 nm	

5MP FISHEYE DOME CAMERA



ENC-HDO8H-30R-92

MODEL	Model No.	ENC-HDO8H-30R-92
	Type	5MP FISHEYE DOME CAMERA
VIDEO	Max. Resolution	2592x1944
	Video Compression	H.265+, H.265, H.264, MJPEG
	Frame Rate	Main Stream: (2592x1944, 2560x1440, 1920x1080, 1280x720) @ 25/30fps Sub Stream: (704x576, 640x360, 704x288, 352x288) @ 25/30fps Third Stream: (1920x1080, 1280x720) @ 25/30fps
	Display Mode	Fisheye View, Fisheye+3PTZ, Fisheye+4PTZ, Fisheye+8PTZ, Panorama, 180° Panorama, Panorama +3PTZ, Panorama +4PTZ, Panorama +8PTZ, 360° Panorama + 1PTZ, 360° Panorama + 6PTZ
	Stream Settings	i-Frame, PAL/NTSC, Frame Rate, SVC
	Video Bit Rate	32Kbps ~ 8Mbps
	Bit Rate Type	CBR, VBR
	Image Settings	Brightness, Contrast, Saturation, Hue, Sharpness, Rotation/Mirror, Gain, Exposure, Day/Night
	White Balance	Auto, Semi Auto, Sunshine, Daylight, Warm Light, Filament, Nature Light, Lock WB, Manual
	HLC	Supported
	BLC	Supported
	OSD	Up to 5 areas
	OSD Type	Title, Week, Date, Time, Text with different colors and adaptable sizes (16x16, 32x32, 48x48, 64x64, 96x96), Image overlay
	ROI	Up to 8 areas
Privacy Mask	Up to 4 areas	
Heatmap	Supported	
AUDIO	Audio Compression	G.711A, G.711U, ADPCM_D
	Audio Bit Rate	8K ~ 48Kbps
	Audio I/O	1/1
	Audio Voltage	Input: Level 5V, Input Impedance 1500 ohms Output: Level 3V, Output Impedance 100 ohms
	Built-in Mic	Supported
SMART	Behavior Detection	Intrusion (Perimeter), Crossline (Tripwire), Double Crossline (Double Tripwire)
	Intelligent Identification	N/A
	Statistical Analysis	N/A
	Alarm Management	Motion Detection, Mask Alarm, IP Address Conflict
INTERFACE	Protocols	TCP/IP, UDP, IPv4, IPv6, ICMP, HTTP, HTTPS, DHCP, DNS, DDNS, RTCP, RTSP, RTMP, PPPoE, NTP, UPnP, SMTP, IGMP, 802.1X, Unicast, Multicast, QoS, ARP, SNMP, SSH
	Security	AES Video Encryption, IP Filter, User Authentication (Multiple Privilege Level), 802.1X Authentication (EAP-MD5), HTTPS Authentication, Digest Authentication, User Access Log
	Compatibility	ONVIF (Profile S, G, T), SDK, CGI
	Network	1 x RJ45 10M/100M Self Adaptive Ethernet Port
	Alarm Interface	1 Input / 1 Output
	Edge Storage	Micro SD card slot, up to 512 GB
	ANR	Supported
	Remote Connection	≤2
GENERAL	Client Application	EyeConnect
	Web Language	15
	Power	12V DC, PoE (802.3af)
	Max. Power consumption	11W(12V), 11.6W(PoE)
	Working Temperature	-10°C ~ +50°C
	Working Humidity	0 ~ 95% RH
	Reset Button	Supported
Dimensions	122mmx39 mm	
Weight	0.26 kg	

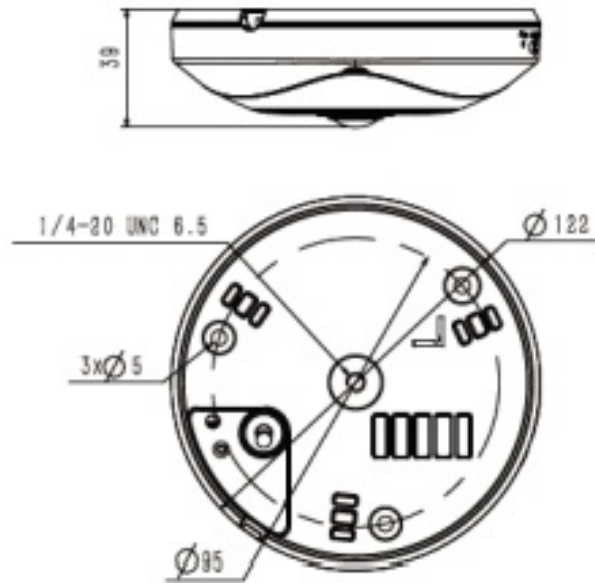
5MP FISHEYE DOME CAMERA



ENC-HDO8H-30R-92

MODEL	Model No.	ENC-HDO8H-30R-92
	Type	5MP FISHEYE DOME CAMERA

Dimension Unit : mm



ORDERING INFORMATION

Part Number	Description	Standard Quantity
ENC-HDO8H-30R-92	5MP IR IP H.265 Hemispheric Dome camera with 1.4mm Fixed Fisheye Lens, PoE, SD card slot, Built-in Mic and 30m IR Support	1

PACKING INFORMATION

Part Number	Packing Mode	Gross weight(Kg)	Dimension(mm)
ENC-HDO8H-30R-92	Carton Box	0.42	138x138x110