

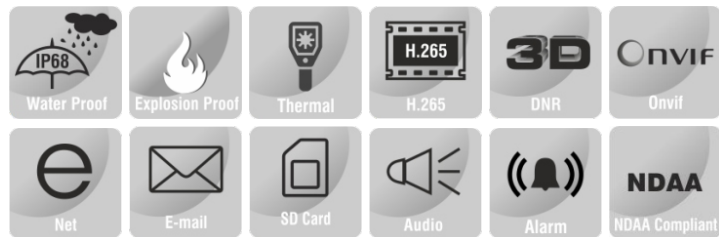
5MP EXPLOSION PROOF THERMAL PTZ CAMERA



ENC-HPT8Z-33X-23

FEATURES

- 304 / 316L Stainless Steel Construction
- 640x512/ 400x300 Thermal Resolution
- 33X Optical Zoom
- ONVIF Profile (S, G, T)
- Quad Stream
- Audio and Alarm Support
- Wiper Support
- ATEX/ IECEx/ CCoE (PESO) Certified
- IP68



SPECIFICATION

MODEL	Model No.	ENC-HPT8Z-33X-23												
	Type	5MP EXPLOSION PROOF THERMAL PTZ CAMERA												
THERMAL CAMERA	Detector Type	Uncooled VOx Focal Plane Arrays												
	Effective Pixels	640x512 and Image can be scaled up to 1280x1024 (400x300 and Image can be scaled up to 704x576)												
	Pixel Size	12um (640x512) (17um (400x300))												
	Thermal Sensitivity (NETD)	≤40 mK												
	Spectral Range	8~14um												
	Image Setting	Brightness, Sharpness, Contrast, Mirror, 3D DNR, Mirror / Flip, FFC												
	Color Palettes	White & Black Hot, Ironbow, Rainbow etc. up to 17 modes												
	Iris	Auto Fixed IRIS												
	DVE Image Enhance	Supported												
	THERMAL LENS	Lens	Fixed											
Focus Control		Motorized Focus												
Focal Length		25/50/75/100 mm												
Frame Rate		640x512 Main Stream: (1280x1024, 1280x720, 640x512) @ 25fps Sub Stream: (D1, CIF) @ 25fps (400x300 Main Stream: (704x576) @ 25/30fps Sub Stream: (CIF) @ 25/30fps)												
Video Bit Rate		640x512: 100kbps ~ 8 Mbps 400x300 :10 kbps ~ 6 Mbps												
F No.		1.0												
Angle of View (640x512)		25mm	50mm	75mm	100mm									
		17.0°(H), 14.0°(V)	8.0°(H), 7.0°(V)	6.0°(H), 5.0°(V)	4.3°(H), 3.5°(V)									
Thermal imaging		Object	Human(1.8mx0.5m)				Vehicle(4mx1.5m)				Fire(1mx1m)			
		Lens (mm)	25	50	75	100	25	50	75	100	25	50	75	100
	Detection(m)	1040	2081	3121	4161	3194	6389	9583	12778	1042	2083	3125	4167	
	Recognition(m)	260	520	780	1040	799	1597	2396	3194	347	694	1042	1389	
	Identification(m)	130	260	390	520	399	799	1198	1597	174	347	521	694	

5MP EXPLOSION PROOF THERMAL PTZ CAMERA



ENC-HPT8Z-33X-23

MODEL	Model No.	ENC-HPT8Z-33X-23												
	Type	5MP EXPLOSION PROOF THERMAL PTZ CAMERA												
THERMAL LENS	Angle of View (400x300)	25mm 15.4"(H), 11.6"(V)	50mm 7.7"(H), 5.8"(V)	75mm 5.1"(H), 3.8"(V)	100mm 3.8"(H), 2.3"(V)									
	Thermal imaging	Object	Human(1.8mx0.5m)				Vehicle(4mx1.5m)				Fire(1mx1m)			
		Lens (mm)	25	50	75	100	25	50	75	100	25	50	75	100
		Detection(m)	735	1471	2206	2941	2255	4510	6765	9020	735	1471	2206	2941
		Recognition(m)	184	368	551	735	564	1127	1691	2255	245	490	735	980
Identification(m)	92	184	275	367	282	564	846	1127	123	245	368	490		
VISIBLE CAMERA	Image Sensor	1/2.8" CMOS Progressive 5.0 MegaPixel												
	Day / Night	IR Cut Filter with Auto Switch												
	Lens Type	Motorized Lens												
	Focal Length	4.7~155.1 mm (Optional 4.5 ~ 148.5mm)												
	Focus	Auto / Semi Auto / Manual												
	Iris Type	DC Auto Iris												
	Angle of View (H)	55.0°~2.3° (Optional 60.7°~2.0°)												
	Angle of View (V)	41.6°~1.7° (Optional 35.7°~1.1°)												
	Aperture Range	F1.6 ~ F4.3												
	Optical Zoom	33x												
	Digital Zoom	16x												
	Shutter	1s - 1/100,000s, Auto/Manual												
	Min. Illumination	Color: 0.001 lux @ F1.6, 0 lux with IR												
	AGC	Auto / Manual												
	Digital Noise Reduction	2D & 3D DNR, Auto / Manual												
S/N Ratio	≥55 dB													
Defog	Smart Defog													
WDR	120 dB													
VIDEO	Max. Resolution	2592x1944												
	Video Compression	H.265+, H.265, H.264, MJPEG												
	Frame Rate	Main Stream: (2592x1944) @ 25/30 fps, (1080p, 720p) @ 50/60fps Sub Stream: (1080p, 720p, D1) @ 25/30fps Third Stream: (VGA, CIF, QVGA, QCIF) @ 25/30fps Fourth Stream: (VGA, CIF, QVGA, QCIF) @ 25/30fps (Optional)												
	Stream Settings	i-Frame, PAL/NTSC, Frame Rate, EIS, SVC												
	Video Bit Rate	100 kbps ~ 12 Mbps												
	Bitrate Type	CBR, VBR												
	Image Settings	Brightness, Contrast, Saturation, Sharpness, Day/Night (Color, Mono, Auto), Flip/Mirror/Rotation, Multiple Scene & Profile Auto, Day/Night, Tungsten, Manual												
	White Balance	Auto / Manual												
	HLC	Supported												
	BLC	Supported												
	OSD	Supported												
	ROI	Up to 8 regions												
	Privacy Mask	Up to 4 regions												
AUDIO	Audio Compression	G.711U, G.711A, RAW_PCM												
	Audio I/O	1/1												
	Audio Bit Rate	8 ~ 16 Kbps												
SMART	Behavior Detection	Intrusion (Perimeter), Crossline (Tripwire), Loitering												
	Statistical Analysis	People Counting, Wrong Way Detection, Human & Vehicle Detection, Fire Point Detection, Smoke Detection												
	Alarm Management	Motion Detection, Tampering (Masking), Input & Output Event, Network Alarm, Disk Alarm, Day Night Switch Alarm, Abnormal Audio Alarm, Pre/Post Alarm Recording, Alarm Recording/Snapshot												
	Alarm Notifications	E-mail, HTTP, FTP, SD Card & Alarm Out (Event Notification/ Recording/ Snapshot upload through E-mail, HTTP, FTP & SD Card)												
	Auto Tracking	Supported **Will be available in next FW version												
TEMPERATURE	Detection Mode	Spot, Line, Area												
	Alarm	Over/Difference Alarm												
	Accuracy	±2°C / ±2%												
	Response Time	≤30ms												
	Measurement range	Up to 900 °C (±0.2°C accuracy up to 15M and ±15-20% accuracy up to 50M)												
Display mode	Temperature target > 5°C, Display absolute temperature value; Temperature target ≤ 5°C, Display relative temperature value (Temperature difference DEV = highest value - average)													

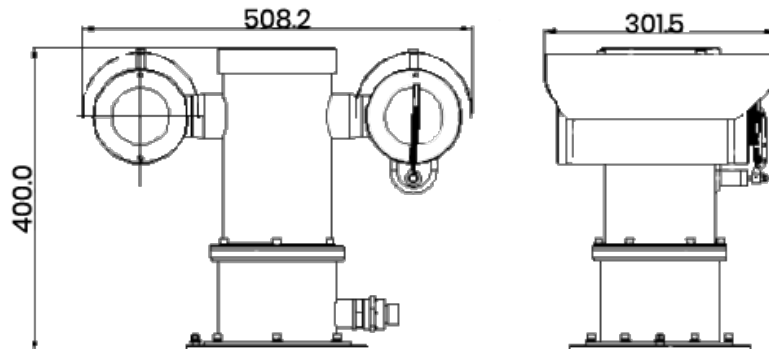
5MP EXPLOSION PROOF THERMAL PTZ CAMERA



ENC-HPT8Z-33X-23

MODEL		ENC-HPT8Z-33X-23
Type		5MP EXPLOSION PROOF THERMAL PTZ CAMERA
INTERFACE	Protocols	TCP/IP, UDP, IPv4, IPv6, ICMP, HTTP, HTTPS, FTP, DHCP, DNS, DDNS, RTP, RTSP, RTCP, PPPoE, NTP, UPnP, SMTP, IGMP, 802.1X, Unicast, Multicast, QoS, ARP, SNMP, Telnet, SSL/TLS1.2
	Security	TLS Video Encryption, IP Filter, User Authentication (Multiple Privilege Level), 802.1X Authentication (EAP-MD5), HTTPS Authentication, RTSP Authentication, Digest Authentication, User Access Log
	Compatibility	ONVIF (S, G, T), SDK, CGI
	Network	1 x RJ45 10M/100M Self Adaptive Ethernet Port
	Alarm Interface	2 Input / 1 Output
	Serial Interface	1xRS485
	Edge Storage	SD card slot, up to 256 GB
	ANR	Supported
	Built-in Heater	Supported(Optional)
	Wiper	Supported
	Max. User	32
	Client Application	EyeGuard
	PAN AND TILT	Pan Range
Pan Speed		Pan Manual Speed: 0.1°/s ~ 45°/s, Pan Preset Speed: 45°/s
Tilt Range		-90 ~ +90°
Tilt Speed		Tilt Manual Speed: 0.1°/s ~ 45°/s, Tilt Preset Speed: 45°/s
Preset Accuracy		±0.1°
Cruise Scan		Supported
Keep watch		Supported
Preset		300
Resume function		Supported
Auto Cruise		Supported
Auto Scan		Supported
GENERAL		Power Supply
	Power Consumption	Max. 70W (with thermostat)
	Working Temperature	-40°C ~ 70°C
	Working Humidity	0-95% RH (non-condensing)
	Atmospheric pressure	80 kPa ~ 110 kPa
	Window glass	Strong tempered glass
	Sun shade	Supported
	Ingress Protection	IP68
	Vandal Resistant	IK10(Housing)
	Surge Protection	TVS6000V
	Reset Button	Supported
	Dimensions	508.2x301.5x400 mm
	Net Weight	38 kg

Dimension Unit : mm



5MP EXPLOSION PROOF THERMAL PTZ CAMERA



ENC-HPT8Z-33X-23

MODEL	Model No.	ENC-HPT8Z-33X-23
	Type	5MP EXPLOSION PROOF THERMAL PTZ CAMERA

ORDERING INFORMATION

Part Number	Description	Standard Quantity
ENC-HPT8Z-33X-23	5MP SS316L (optional SS304) Explosion-proof IP Thermal PTZ camera with 640*512 (400*300 Optional) Thermal Resolution, 25mm (optional 50, 75, 100mm) Motorized Focus Thermal Lens , 33X Visible Optical Zoom, Wiper and SD card slot Support	1
ENB-BZPW68	Wall Mount Bracket for Eyenor Explosion / Corrosion Proof PTZ Camera	1
ENB-BZPH68	Corner Mount Bracket for Eyenor Explosion / Corrosion Proof PTZ Camera	1
ENB-BZPV68	Pole Mount Bracket for Eyenor Explosion / Corrosion Proof PTZ Camera	1
ENA-EXH010	1 Meter Explosion / Corrosion Proof Hose for Eyenor Explosion / Corrosion Proof Camera	1
ENA-EXH015	1.5 Meter Explosion / Corrosion Proof Hose for Eyenor Explosion / Corrosion Proof Camera	1
ENA-EXH020	2 Meter Explosion / Corrosion Proof Hose for Eyenor Explosion / Corrosion Proof Camera	1

PACKING INFORMATION

Part Number	Packing Mode	Gross weight(Kg)	Dimension(mm)
ENC-HPT8Z-33X-23	Carton Box	-	-