

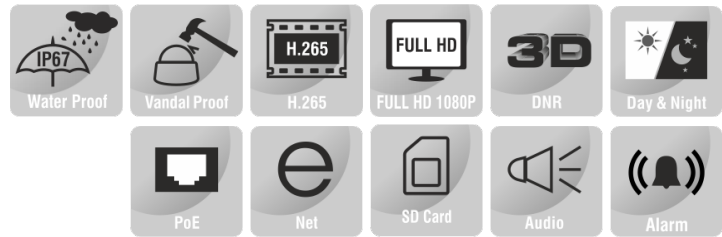
2MP MOTORIZED VANDAL DOME CAMERA



ENC-HVD5M-45R-70

FEATURES

2.7 ~ 13.5 mm Motorized Lens
Smart IR up to 45 m
ONVIF Profile (S, G, T)
Quad Stream
Audio and Alarm Support
PoE, IP67, IK10



SPECIFICATION

MODEL	Model No.	ENC-HVD5M-45R-70
	Type	2MP MOTORIZED VANDAL DOME CAMERA
CAMERA	Image Sensor	1/2.8" CMOS Progressive 2.0 MegaPixel
	Day/Night	IR Cut Filter with Auto Switch
	Lens Type	Motorized
	Focal Length	2.7 ~ 13.5 mm
	Digital Zoom	16x
	Focus	Auto / Manual
	Iris	Fixed Iris
	Angle of View (H)	101.0° ~ 28.0°
	Angle of View (V)	54.0° ~ 16.0°
	Angle Adjustment	Pan 0 ~ 355°, Tilt 0 ~ 80°, Rotate 0 ~ 355°
	Shutter	1s to 1/100,000s, Auto / Manual
	Min. Illumination	Color: 0.01 lux @ F1.2, B/W: 0 lux with IR
	AGC	Auto / Manual
	Digital Noise Reduction	2D & 3D DNR, Auto / Manual
	S/N Ratio	≥55 dB
	Defog	Smart Defog
	WDR	145 dB
Smart IR	Up to 45 m	
Wavelength	850 nm	

2MP MOTORIZED VANDAL DOME CAMERA



ENC-HVD5M-45R-70

MODEL	Model No.	ENC-HVD5M-45R-70
	Type	2MP MOTORIZED VANDAL DOME CAMERA
VIDEO	Max. Resolution	1920x1080
	Video Compression	H.265+, H.265, H.264, MJPEG
	Frame Rate	Main Stream: (1920x1080, 1280x720, D1) @ 50/60fps Sub Stream: (1920x1080, 1280x720, D1) @ 25/30fps Third Stream: (VGA, CIF, QVGA, QCIF) @ 25/30fps Fourth Stream: (VGA, CIF, QVGA, QCIF) @ 25/30fps **Fourth Stream Supported in IE only
	Stream Settings	i-Frame, PAL/NTSC, Frame Rate, EIS
	Video Bit Rate	100 kbps ~ 12 Mbps
	Bitrate Type	CBR, VBR
	Image Settings	Brightness, Contrast, Saturation, Sharpness, Day/Night (Color, Mono, Auto), Flip/Mirror/Rotation, Multiple Scene & Profile
	White Balance	Auto, Day/Night, Tungsten, Manual
	Corridor Mode	Supported
	HLC	Supported
	BLC	Supported
	OSD	Total 8 regions
	OSD Type	Title, Week, Date, Time, Text with different colors and adaptable sizes, Image overlay
	ROI	Up to 8 regions
Privacy Mask	Up to 4 regions	
AUDIO	Audio Compression	G.711A, G.711U, RAW_PCM
	Audio Bit Rate	8 kbps, 16 kbps, 64 kbps
	Audio I/O	1/1
SMART	Behavior Detection	Intrusion (Perimeter), Crossline (Tripwire), Double Crossline (Double Tripwire)
	Intelligent Identification	Loitering, Multi Loitering, Abandoned Object (Object Left), Missing Object (Object Lost)
	Statistical Analysis	Face Detection, People Counting, Human & Vehicle Detection, Abnormal Video & Audio Detection, Wrong Way Detection, Illegal Parking, Tampering / Masking / Scene Change, Abnormal Speed
	Alarm Management	Motion Detection, Tampering (Masking), Input & Output Event, Network Alarm, Disk Alarm, Day Night Switch Alarm, Abnormal Audio Alarm, Pre/Post Alarm Recording, Alarm Recording/Snapshot
	Alarm Notifications	E-mail, HTTP, FTP, SD Card & Alarm Out (Event Notification/ Recording/ Snapshot upload through E-mail, HTTP, FTP & SD Card)
INTERFACE	Protocols	TCP/IP, UDP, IPv4, IPv6, ICMP, HTTP, HTTPS, FTP, DHCP, DNS, DDNS, RTP, RTSP, RTCP, PPPoE, NTP, UPnP, SMTP, IGMP, 802.1X, Unicast, Multicast, QoS, ARP, SNMP, Telnet, SSL/TLS1.2
	Security	TLS Video Encryption, IP Filter, User Authentication (Multiple Privilege Level), 802.1X Authentication (EAP-MD5), HTTPS Authentication, RTSP Authentication, Digest Authentication, User Access Log
	Compatibility	ONVIF Profile (S, G, T), SDK/CGI
	Network	1 x RJ45 10M/100M Self Adaptive Ethernet Port
	Alarm Interface	1 Input / 1 Output
	Edge Storage	SD card slot, up to 256 GB
	ANR	Supported
	Max User Access	32
	Client Application	EyeGuard
GENERAL	Power Supply	12V DC/ PoE (IEEE 802.3af)
	Max. Power Consumption	8.5 W
	Working Temperature	-40 °C ~ 60 °C
	Working Humidity	≥95% RH (non-condensing)
	Ingress Protection	IP67
	Vandal Resistant	IK10
	Surge Protection	TVS4000V
	Reset Button	Supported
	Dimensions	Φ130x112 mm
	Net Weight	0.8 Kg

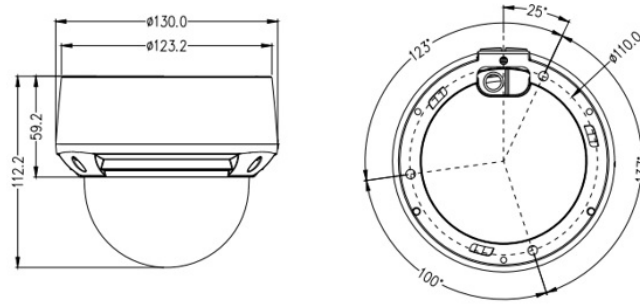
2MP MOTORIZED VANDAL DOME CAMERA



ENC-HVD5M-45R-70

MODEL	Model No.	ENC-HVD5M-45R-70
	Type	2MP MOTORIZED VANDAL DOME CAMERA

Dimension Unit : mm



ORDERING INFORMATION

Part Number	Description	Standard Quantity
ENC-HVD5M-45R-70	2MP 60FPS H.265 IR IP Vandal Proof Dome Camera with 2.7 to 13.5mm Motorized Lens, WDR, PoE, SD Card Slot, Smart Analytics and 45m IR Support	1
ENB-BCDJ67	Junction Box for Eyenor Dome Camera	1
ENB-BCDQ66	Pendent Cap for Eyenor Dome Camera	1
ENB-BCDP66	Pendant Mount for Eyenor Dome Camera	1
ENB-BCDW66	Wall Mount for Eyenor Dome Camera	1
ENB-BCDV66	Pole Mount for Eyenor Dome Camera	1
ENB-BCDH66	Corner Mount for Eyenor Dome Camera	1

PACKING INFORMATION

Part Number	Packing Mode	Gross weight(Kg)	Dimension(mm)
ENC-HVD5M-45R-70	Carton Box	-	-