

# POLE MOUNT BRACKET FOR BULLET CAMERA



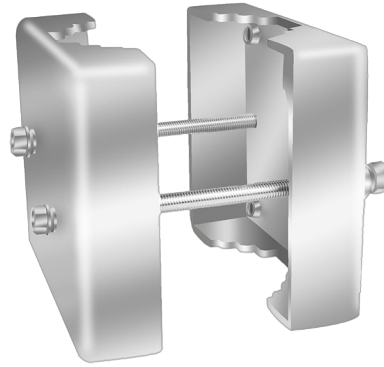
## ENB-BZUV68

### FEATURES

304 / 316L Stainless Steel Construction

Max. Load Support up to 100kg

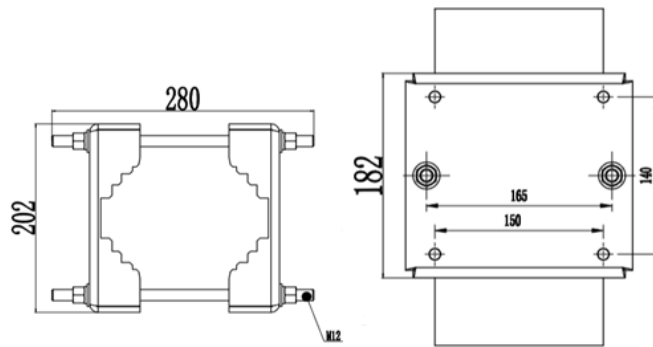
Pole Mount Bracket for Explosion / Corrosion Proof Camera



### SPECIFICATION

MODEL	Model No.	ENB-BZUV68
	Type	POLE MOUNT BRACKET FOR BULLET CAMERA
GENERAL	Construction	304 / 316L Stainless Steel
	Max. Load Support	100 kg
	Dimensions	280 x 182 x 202 mm
	Weight	6.6 Kg

Dimension Unit : mm



### ORDERING INFORMATION

Part Number	Description	Standard Quantity
ENB-BZUV68	Pole Mount Bracket for Eyenor Explosion / Corrosion Proof Bullet Camera	1

### PACKING INFORMATION

Part Number	Packing Mode	Gross weight(Kg)	Dimension(mm)
ENB-BZUV68	Carton Box	-	-