

WALL MOUNT BRACKET FOR PTZ CAMERA



ENB-BCDW66

FEATURES

Aluminum Alloy

Max. Load Support up to 3 kg

Wall Mount Bracket for Dome / Mini PTZ Camera

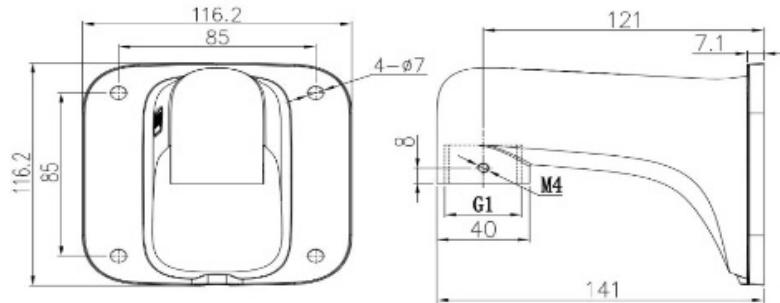
IP66



SPECIFICATION

MODEL	Model No.	ENB-BCDW66
	Type	WALL MOUNT BRACKET FOR PTZ CAMERA
GENERAL	Construction	Aluminum Alloy
	Color	White
	Max. Weight Supported	3 kg
	Dimensions(LxWxH)	141 x 116.2 x 116.2mm
Weight	0.25 kg	

Dimension Unit : mm



ORDERING INFORMATION

Part Number	Description	Standard Quantity
ENB-BCDW66	Wall Mount Bracket for Dome / Mini PTZ Camera	1

PACKING INFORMATION

Part Number	Packing Mode	Gross weight(Kg)	Dimension(mm)
ENB-BCDW66	Carton Box	-	-