

WALL MOUNT BRACKET FOR DOME CAMERA



ENB-BTDW67

FEATURES

Aluminum Alloy

Max. Load Support up to 4.5 kg

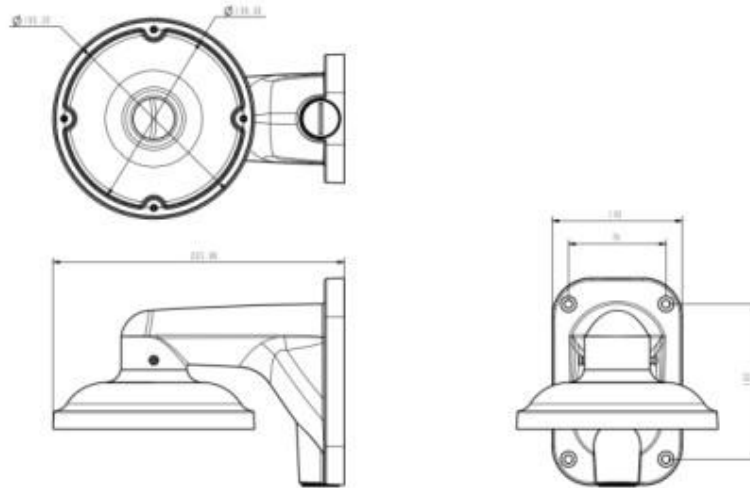
Wall Mount Bracket for Motorized Lens Dome Camera



SPECIFICATION

MODEL	Model No.	ENB-BTDW67
	Type	WALL MOUNT BRACKET FOR DOME CAMERA
GENERAL	Construction	Aluminum Alloy
	Max. Weight Supported	4.5 Kg
	Dimensions(LxWxH)	224x100x160 mm
	Weight	660 g

Dimension Unit : mm



ORDERING INFORMATION

Part Number	Description	Standard Quantity
ENB-BTDW67	Wall Mount Bracket for Motorized Lens Dome Camera (Metal)	1

PACKING INFORMATION

Part Number	Packing Mode	Gross weight(Kg)	Dimension(mm)
ENB-BTDW67	Carton Box	-	-