

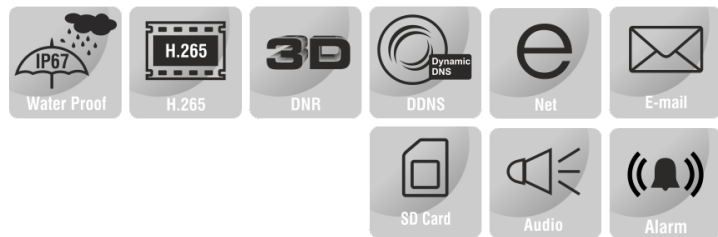
8MP PANORAMIC & 4MP PTZ CAMERA



ENC-HHPAQ-350R-20

FEATURES

Starlight Illumination
8MP Panoramic & 4 MP PTZ Camera
40x Optical Zoom
16x Digital Zoom
ONVIF Profile (S, G, T)
Triple Stream
IP67



SPECIFICATION

MODEL	Model No.	ENC-HHPAQ-350R-20
PANORAMIC CAMERA	Type	8MP PANORAMIC & 4MP PTZ CAMERA
	Image Sensor	1/2.8" CMOS Progressive Scan CMOS
	Day/Night	IR Cut Filter with Auto Switch
	Focal Length	3.3 mm
	Iris Type	Fixed
	Aperture	F2.0
	Angle of View (H)	180°
	Angle of View (V)	85°
	Min. Illumination	Color: 0.002 lux@ F2.0, BW: 0.0004 lux, 0 lux with IR on
	AGC	Auto / Manual
	Defog	Supported
	Smart IR	70m
	WDR	120 dB
	Max. Resolution	4096x1800
	Main Stream	(4096x1800, 3840x1680, 2720x1192) @ 25/30fps
Sub Stream	(704x480, 640x480, 352x240) @ 30fps, (704x576, 640x480, 352x288) @ 25fps	
Third Stream	(1920x1080, 1280x960, 1280x720, 640x480,)@ 25/30fps (704x480, 352x240) @ 30fps ; (704x576, 352x288) @ 25fps	

8MP PANORAMIC & 4MP PTZ CAMERA



ENC-HHPAQ-350R-20

MODEL	Model No.	ENC-HHPAQ-350R-20
	Type	8MP PANORAMIC & 4MP PTZ CAMERA
PTZ CAMERA	Image sensor	1/2.8" CMOS Progressive Scan CMOS
	Day/Night	IR Cut Filter with Auto Switch
	Focal Length	4.5 ~ 180 mm
	Focus	Auto / Semi Auto / Manual
	Optical zoom	40x
	Digital Zoom	16x
	Zoom Speed	≥5.2s
	Iris	DC Iris
	Aperture	F1.2 ~ F3.5
	Angle of View (H)	59.1° ~ 1.8°
	Angle of View (V)	38.4° ~ 1.1°
	Shutter	1/30s ~ 1/30,000s
	Min. Illumination	Color: 0.005 lux@ F2.0, BW: 0.001 lux, 0 lux with IR on
	AGC	Auto / Manual
	Digital Noise Reduction	3D DNR, Auto / Manual
	S/N Ratio	≥52 dB
	WDR	120 dB
	VIDEO	Smart IR
Max. Resolution		2560x1440
Main Stream		(2560x1440, 1920x1080, 1280x960, 1280x720) @ 25/30fps
Sub Stream		(704x480, 640x480, 352x240) @ 30fps, (704x576, 640x480, 352x288) @ 25fps
Third Stream		(1920x1080, 1280x960, 1280x720, 704x480, 640x480, 352x240) @ 30fps, (1920x1080, 1280x960, 1280x720, 704x576, 640x480, 352x288) @25fps
Video Compression		H.265+, H.265, H.264+, H.264, MJPEG
Video Bit Rate		64 kbps ~ 16 Mbps
Bitrate Type		CBR, VBR
Image Settings		Brightness, Contrast, Saturation, Sharpness, Flip/Mirror
White Balance		Indoor / Outdoor / Auto / Manual
HLC		Supported
AUDIO		BLC
	OSD	Total 8 Regions
	OSD Type	Different color & adaptable sizes (128x128), Image Overlay
	Privacy Mask	Up to 4 regions
	EIS	Supported
	Audio Compression	G.711A, G.711U
	Audio Bit Rate	64 Kbps
	Audio I/O	Panoramic - 1/1
SMART	Audio Voltage	Panoramic : Audio IN - Level 2.0-2.4 V, input impedance 1k ohms Audio O/P - Level output impedance 600 ohms
	Behavior Detection	Intrusion (Perimeter), Crossline (Tripwire), Double Crossline (Double Tripwire)
	Intelligent Identification	Region Entry / Exit Detection
	Statistical Analysis	Panoramic - Face Detection (Capture), Vehicle Detection PTZ - Face Detection (Capture), Vehicle Detection and Tracking
	Alarm Management	Panoramic / PTZ - Motion Detection, Tampering (Masking)
	Alarm Notification	E-Mail, HTTPS, FTP, SD Card & Alarm Out (Event Notification/ Recording/ Snapshot upload through E-Mail, HTTPS, FTP & SD Card)
	Auto Tracking	PTZ - Supported

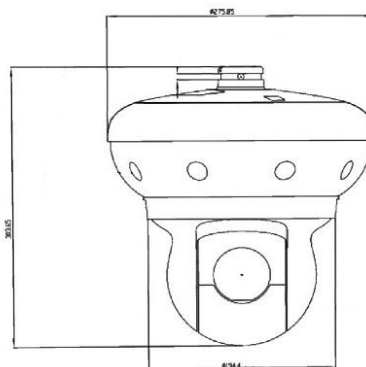
8MP PANORAMIC & 4MP PTZ CAMERA



ENC-HHPAQ-350R-20

MODEL		ENC-HHPAQ-350R-20
Type		8MP PANORAMIC & 4MP PTZ CAMERA
INTERFACE	Protocols	TCP/IP, UDP, IPv4, IPv6, HTTP, HTTPS, FTP, DHCP, DNS, DDNS, RTP, RTCP, RTSP, PPPoE, NTP, UPnP, SMTP, 802.1X, QoS, SNMP, P2P
	Security	IP Filter, User Authentication, IEEE802.1x port-based network access control, Host authentication, HTTPS encryption
	Compatibility	ONVIF (PROFILE S, G, T)
	Network	1 x RJ45 10M/100M Self Adaptive Ethernet Port
	Serial Interface	Panoramic - 1xRS485
	Edge Storage	MicroSD card slot, up to 256 GB
	ANR	Supported
	Alarm Interface	Panoramic / PTZ - 1 Input / 1 Output
	Heater	Panoramic / PTZ - Supported
	Fan	Panoramic / PTZ - Supported
	Cable Interface	Pig Tail
	Max. User Access	16
	Web Language	15
	PAN AND TILT	Pan Range
Pan Speed		Pan Manual Speed: 0.1°~390°/s, Pan Preset Speed: 420°/s
Tilt Range		-25° ~ +155° (auto flip at 90°)
Tilt Speed		Tilt Manual Speed: 0.1°~270°/s, Tilt Preset Speed: 300°/s
Number of Presets		360
3D Positioning		Supported
Cruise		8, up to 16 presets per cruise
Trace		4, record time over 3 minutes for each trace
GENERAL	Power off Memory	Supported
	Power Supply	AC24V, PoE++(802.3.bt, Type 6)
	Max. Power Consumption	50W
	Working Temperature	-40°C ~ 70°C
	Working Humidity	≤90% RH
	Ingress Protection	IP67
	Vandal Resistant	IK10 (Housing)
	Surge Protection	TVS6000V
	Reset Button	Supported
	Dimensions	φ275.85 x 303.65 mm
Net Weight	4.9 Kg	

Dimension Unit : mm



8MP PANORAMIC & 4MP PTZ CAMERA



ENC-HHPAQ-350R-20

ORDERING INFORMATION

Part Number	Description	Standard Quantity
ENC-HHPAQ-350R-20	8MP(4x2MP) Multi Sensor 180° Panoramic Camera with 4MP PTZ Resolution, 40X Optical Zoom, WDR, Smart Analytics and 350m IR Support	1

PACKING INFORMATION

Part Number	Packing Mode	Gross weight(Kg)	Dimension(mm)
ENC-HHPAQ-350R-20	Carton Box	-	-