

# 5MP FIXED COMPACT DOME CAMERA



## ENV-HCD8F-15R-65

### FEATURES

2.8 mm Fixed Lens
Smart IR up to 15 m
ONVIF Profile (S, G, T)
Triple Stream
Built-in Mic
PoE



### SPECIFICATION

MODEL	Model No.	ENV-HCD8F-15R-65
CAMERA	Type	5MP FIXED COMPACT DOME CAMERA
	Image Sensor	1/2.8" CMOS Progressive 5.0 MegaPixel
	Day/Night	IR Cut Filter with Auto Switch
	Lens Type	Fixed
	Focal Length	2.8 mm
	Digital Zoom	16x
	Focus	Fixed
	Iris	Fixed
	Angle of View (H)	93.4°
	Angle of View (V)	69.1°
	Angle of View (D)	116.1°
	Angle Adjustment	Pan ± 45°, Tilt 0~72°, Rotate 0~360°
	Aperture	F1.6
	Shutter	1s to 1/100,000s, Auto / Manual
	Min. Illumination	Color: 0.03 lux @ F1.6, B/W: 0 lux with IR
	AGC	Auto / Manual
	Digital Noise Reduction	2D & 3D DNR, Auto / Manual
	S/N Ratio	≥55 dB
Defog	Smart Defog	
WDR	120 dB	
Smart IR	Up to 15 m	
Wavelength	850 nm	

# 5MP FIXED COMPACT DOME CAMERA



## ENV-HCD8F-15R-65

MODEL	Model No.	ENV-HCD8F-15R-65
	Type	5MP FIXED COMPACT DOME CAMERA
VIDEO	Max. Resolution	2592x1944
	Video Compression	H.265+, H.265, H.264, MJPEG
	Frame Rate	Main Stream: (2592x1944, 2592x1520, 1920x1080, 1280x720) @ 25/30fps Sub Stream: (704x576, 640x480, 352x288) @ 25/30fps Third Stream: (640x480, 352x288, 320x240) @ 25/30fps
	Stream Settings	i-Frame, PAL/NTSC, Frame Rate
	Video Bit Rate	100 kbps ~ 12 Mbps
	Bitrate Type	CBR, VBR
	Image Settings	Brightness, Contrast, Saturation, Sharpness, Day/Night (Color, Mono, Auto), Flip/Mirror/Rotation, Multiple Scene & Profile
	White Balance	Auto, Day/Night, Tungsten, Manual
	Corridor Mode	Supported
	HLC	Supported
	BLC	Supported
	OSD	Total 8 regions
	OSD Type	Title, Week, Date, Time, Text with different colors and adaptable sizes, Image overlay
	ROI	Up to 8 regions
Privacy Mask	Up to 4 regions	
SMART	Behavior Detection	Intrusion (Perimeter), Crossline (Tripwire), Double Crossline (Double Tripwire)
	Intelligent Identification	Loitering
	Statistical Analysis	Face Detection, People Counting, Human & Vehicle Detection, Wrong Way Detection, Tampering / Masking / Scene Change
	Alarm Management	Motion Detection, Tampering, Input & Output Event, Network Alarm, Disk Alarm, Day Night Switch Alarm, Pre/Post Alarm Recording, Alarm Recording/Snapshot
	Alarm Notifications	E-mail, HTTP, FTP, SD Card & Alarm Out (Event Notification/ Recording/ Snapshot upload through E-mail, HTTP, FTP & SD Card)
INTERFACE	Protocols	TCP/IP, UDP, IPv4, IPv6, ICMP, HTTP, HTTPS, FTP, DHCP, DNS, RTP/RTSP/RTCP, PPPoE, NTP, UPnP, SMTP, 802.1X, Unicast, ARP, SNMP, SL/TLS1.2
	Security	TLS Video Encryption, IP Filter, User Authentication (Multiple Privilege Level), 802.1X Authentication (EAP-MD5), HTTPS Authentication, RTSP Authentication, Digest Authentication, User Access Log
	Compatibility	ONVIF Profile (S, G, T), SDK/CGI
	Network	1 x RJ45 10M/100M Self Adaptive Ethernet Port
	Built-in Mic	Supported
	Edge Storage	SD card slot, up to 256 GB
	ANR	Supported
	Max User	32
Client Application	EyeGuard	
GENERAL	Power Supply	12V DC , PoE (IEEE 802.3af)
	Max. Power Consumption	5 W
	Working Temperature	-40 °C ~ 55°C
	Working Humidity	≤90% RH (non-condensing)
	Ingress Protection	IP66
	Surge Protection	TVS4000V
	Reset Button	Supported
	Dimensions	99.6 × 99.6 × 63.3 mm
Net Weight	0.38 Kg	

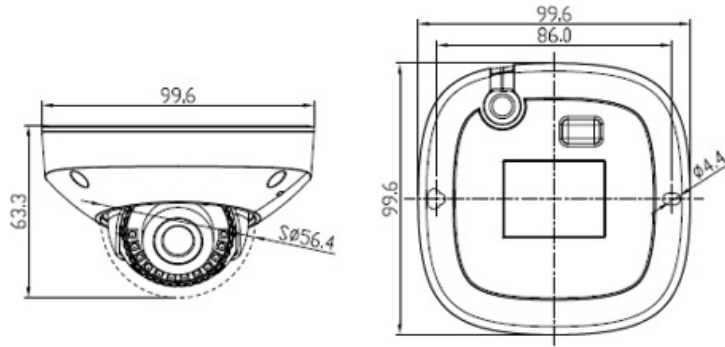
# 5MP FIXED COMPACT DOME CAMERA



ENV-HCD8F-15R-65

MODEL	Model No.	ENV-HCD8F-15R-65
	Type	5MP FIXED COMPACT DOME CAMERA

Dimension Unit : mm



## ORDERING INFORMATION

Part Number	Description	Standard Quantity
ENV-HCD8F-15R-65	5MP H.265 IR IP Compact Dome Camera with 2.8mm Lens, WDR, PoE, SD Card Slot, Built-in Mic, Smart Analytics and 15m IR Support	1
ENB-BCDJ65	Junction Box for Eyenor Dome Camera	1
ENB-BCDQ65	Pendent Cap for Eyenor Dome Camera	1
ENB-BCDP66	Pendent Mount for Eyenor Dome Camera	1
ENB-BCDW66	Wall Mount Bracket for Eyenor Dome Camera	1
ENB-BCDU66	Pole Mount Bracket for Eyenor Dome Camera	1
ENB-BCPH65	Corner Mount Bracket for Dome Camera	1

## PACKING INFORMATION

Part Number	Packing Mode	Gross weight(Kg)	Dimension(mm)
ENV-HCD8F-15R-65	Carton Box	-	-