

SMART TOOL LESS KEYSTONE JACK

Norden UTP tool-less keystone Jacks give optimum protection from electromagnetic interference from an outside source. The tool-less termination allows all eight conductors to be terminated simultaneously when the termination cap is pressed into place. These Jacks are designed to reduce the Insertion loss & alien crosstalk in order to provide maximum flexibility and high performance for all 10G Ethernet applications and are available in a 180° orientation with back interconnection of Dual Style IDC blocks in universal pin/pair assignment. 180° orientation provides perfect termination with minimum distance to the IDC. It supports T568 A&B wiring & easy installation. The jack is manufactured with an integral cable strain relief. They can be installed into a number of Face plates and unloaded shuttered modules.



COMPLIANCE

IEEE 802.af, IEEE 802.3at for PoE applications.

ANSI/TIA-568-C.2, ISO/IEC11801:2002

CENELEC EN50173-1, EN50173-2

DESIGN & MATERIALS

| | |
|--------------------------|--|
| Colour | Black And White or Others Available Upon Request |
| Angle | 180 Degree |
| Temperature - Storage | -40°C to 68°C |
| Temperature - Operation | -10-60°C |
| Operating Humidity Range | 10%-90%RH |
| Housing Material | Zinc Alloy, High impact flame retardant plastic |
| IDC Type | Dual (110 Or Krone) Type |
| IDC Wire Gauge | 23-26 AWG, Solid |
| Colour Coding | As Per 568 A/B Standard |
| Spring Wire | Phosphor bronze gold over nickel plating |
| Insulation Diameter | 0.7-1.4 mm |

STANDARDS

| | |
|---------------------|-----------|
| Flammability Rating | UL 94 V-0 |
| Safety Rating | UL 1863 |

ELECTRICAL DATA

| | |
|------------------------------|------------------------|
| Current Rating | 1.5 A |
| Insulation Resistance | ≥ 500 MΩ |
| DC Resistance | ≤ 0.1 Ω |
| Dielectric Voltage | DC 1000 V/AC750V 1 min |
| Plug/Jack Contact Resistance | ≤10 mΩ |

SMART TOOL LESS KEYSTONE JACK

MECHANICAL & TRANSMISSION DATA

| | |
|-------------------------------|---|
| Insertion/Extraction Life | ≥750 Cycles with FCC Compliant Rj-45 Plug |
| Durability | 200 Termination Cycles |
| Retention | 133 N |
| Propagation Delay Cat 6 | 2.5 ns max./1-250 MHz |
| Propagation Delay Cat 6A | 2.5 ns max./1-500 MHz |
| Propagation Delay Skew Cat 6 | 1.25 ns max./1-250 MHz |
| Propagation Delay Skew Cat 6A | 1.25 ns max./1-500 MHz |
| Coupling Attenuation Cat 6 | 35 dB @ 30 - 250 MHz |
| Coupling Attenuation Cat 6A | 45 dB @ 30 - 500 MHz |

TRANSMISSION PERFORMANCE DATA OF CHANNEL CATEGORY 6

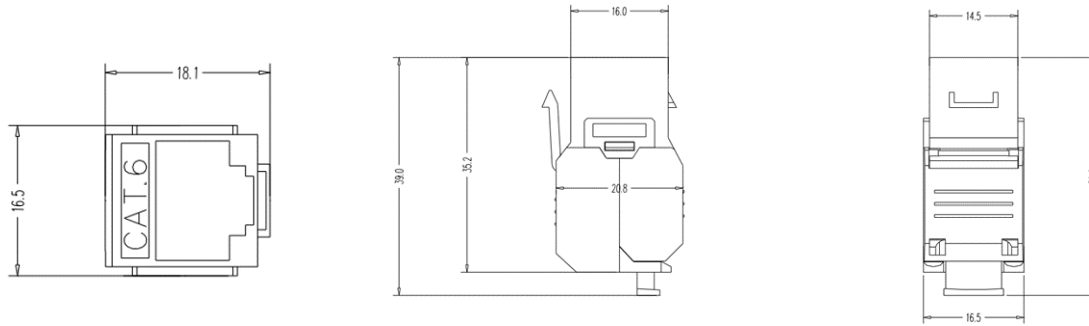
| Freq. MHz | Attenuation dB/100m @ 20°C | NEXT dB | PSNEXT dB | RL dB |
|-----------|----------------------------|---------|-----------|-------|
| 1 | 1.9 | 87.6 | 82.6 | 28.0 |
| 4 | 3.5 | 79.2 | 74.2 | 30.0 |
| 10 | 5.6 | 73.3 | 68.3 | 29.0 |
| 20 | 8.4 | 69.1 | 63.8 | 29.0 |
| 31.25 | 10.0 | 66.0 | 61.1 | 28.6 |
| 100 | 18.9 | 58.0 | 53.0 | 25.1 |
| 150 | 24.0 | 55.2 | 50.7 | 23.8 |
| 200 | 26.1 | 53.0 | 48.0 | 22.8 |
| 250 | 30.0 | 52.6 | 47.6 | 22.0 |

TRANSMISSION PERFORMANCE DATA OF CHANNEL CATEGORY 6A

| Freq. MHz | Attenuation dB/100m @ 20°C | NEXT dB | PSNEXT dB | RL dB | ACR dB |
|-----------|----------------------------|---------|-----------|-------|--------|
| 1 | 1.7 | 86.3 | 83.3 | 26.0 | 84.6 |
| 4 | 3.4 | 85.0 | 83.0 | 29.0 | 75.6 |
| 10 | 5.4 | 77.3 | 74.3 | 31.0 | 71.9 |
| 20 | 7.6 | 70.0 | 67.0 | 30.0 | 62.4 |
| 31.25 | 9.7 | 68.0 | 65.0 | 29.8 | 58.3 |
| 100 | 18.0 | 65.3 | 62.3 | 27.0 | 47.3 |
| 150 | 23.6 | 62.0 | 59.8 | 26.0 | 38.4 |
| 200 | 27.4 | 59.0 | 57.2 | 25.0 | 31.6 |
| 250 | 31.0 | 57.6 | 54.6 | 25.2 | 26.6 |
| 300 | 34.2 | 55.0 | 52.0 | 24.0 | 20.3 |
| 400 | 40.0 | 53.0 | 51.8 | 21.8 | 13.0 |
| 500 | 42.2 | 52.0 | 50.0 | 21.8 | 9.8 |

SMART TOOL LESS KEYSTONE JACK

DRAWING FOR CAT 6 & CAT 6A



ORDERING INFORMATION

| Part Number | Description |
|-------------|---|
| 122-34T180X | Category 6 UTP Smart Tool Less Keystone Jack |
| 122-44T180X | Category 6A UTP Smart Tool Less Keystone Jack |

X: BK[Black], BL[Blue], GN[Green], GY[Gray], RD[Red], WH[White], YL[Yellow]