

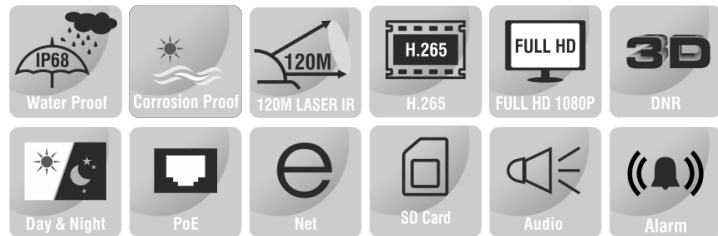
2MP CORROSION PROOF BULLET CAMERA



ENC-HBU5M-120R-27

FEATURES

Starlight Illumination
316L Stainless Steel Construction
5 ~ 50 mm Motorized Lens
Smart IR up to 120 m
ONVIF Profile (S, G, T)
Quad Stream
Audio and Alarm Support
PoE+, IP68



SPECIFICATION

MODEL	Model No.	ENC-HBU5M-120R-27
	Type	2MP CORROSION PROOF BULLET CAMERA
CAMERA	Image Sensor	1/2.8" CMOS Progressive 2.0 MegaPixel
	Day / Night	IR Cut Filter with Auto Switch
	Lens Type	Motorized
	Focal Length	5 ~ 50 mm Lens
	Digital Zoom	16x
	Focus	Auto / Manual
	Iris	Fixed Auto Iris
	Angle of View (H)	51.2° ~ 8.7°
	Angle of View (V)	28.0° ~ 4.9°
	Angle of View (D)	58.3° ~ 9.9°
	Aperture	F1.6
	Shutter	1s ~ 1/100,000s, Auto / Manual
	Min. Illumination	Color: 0.001 lux @ F1.6, B/W: 0 lux with IR
	AGC	Auto / Manual
	Digital Noise Reduction	2D & 3D DNR, Auto / Manual
	S/N Ratio	≥55 dB
Defog	Smart Defog	
WDR	120 dB	
Smart IR	Up to 120 m	
Wavelength	850 nm	

2MP CORROSION PROOF BULLET CAMERA



ENC-HBU5M-120R-27

MODEL		ENC-HBU5M-120R-27
	Type	2MP CORROSION PROOF BULLET CAMERA
VIDEO	Max. Resolution	1920x1080
	Video Compression	H.265+, H.265, H.264, MJPEG
	Frame Rate	Main Stream: (1920x1080, 1280x720, 704x576) @ 50/60fps Second Stream: (1920x1080, 1280x720, 704x576) @ 25/30fps Third Stream: (640x480, 352x288, 320x240, 176x144) @ 25/30fps Fourth Stream: (640x480, 352x288, 320x240, 176x144) @ 25/30fps (Optional)
	Stream Settings	i-Frame, PAL/NTSC, Frame Rate, EIS
	Video Bit Rate	100 kbps ~ 12 Mbps
	Bitrate Type	CBR, VBR
	Image Settings	Brightness, Contrast, Saturation, Sharpness, Day/Night (Color, Mono, Auto), Flip/Mirror/Rotation, Multiple Scene & Profile
	White Balance	Auto, Day/Night, Tungsten, Manual
	Corridor Mode	Supported
	HLC	Supported
	BLC	Supported
	OSD	Total 8 regions
	OSD Type	Title, Week, Date, Time, Text with different colors and adaptable sizes, Image overlay
	ROI	Up to 8 regions
Privacy Mask	Up to 4 regions	
AUDIO	Audio Compression	G.711 U, G.711A, , RAW_PCM
	Audio Bit Rate	8 kbps, 16 kbps, 64 kbps
	Audio I/O	1/1
SMART	Behavior Detection	Intrusion (Perimeter), Crossline (Tripwire), Double Crossline (Double Tripwire)
	Intelligent Identification	Loitering, Multi Loitering, Abandoned Object (Object Left), Missing Object (Object Lost)
	Statistical Analysis	Face Detection , People Counting, Human & Vehicle Detection, Abnormal Video & Audio Detection, Wrong Way Detection, Illegal Parking, Tampering / Masking / Scene Change, Abnormal Speed
	Alarm Management	Motion Detection, Tampering (Masking), Input & Output Event, Network Alarm, Disk Alarm, Day Night Switch Alarm, Abnormal Audio Alarm, Pre/Post Alarm Recording, Alarm Recording/Snapshot
	Alarm Notifications	E-mail, HTTP, FTP, SD Card & Alarm Out (Event Notification/ Recording/ Snapshot upload through E-mail, HTTP, FTP & SD Card)
INTERFACE	Protocols	TCP/IP, UDP, IPv4, IPv6, ICMP, HTTP, HTTPS, FTP, DHCP, DNS, DDNS, RTP, RTSP, RTCP, PPPoE, NTP, UPnP, SMTP , IGMP, 802.1X, Unicast, Multicast, QoS, ARP, SNMP, Telnet, SSL/TLS1.2
	Security	TLS Video Encryption, IP Filter, User Authentication (Multiple Privilege Level), 802.1X Authentication (EAP-MD5), HTTPS Authentication, RTSP Authentication, Digest Authentication, User Access Log
	Compatibility	ONVIF Profile (S, G, T), SDK / CGI
	Network	1 x RJ45 10M/100M Self Adaptive Ethernet Port
	Alarm Interface	1 Input / 1 Output
	Edge Storage	SD card slot, up to 256GB
	ANR	Supported
	Max. User	32
	Client Application	EyeGuard
GENERAL	Power Supply	AC 110V ~ 240V / 24V DC / 24V AC / PoE+ (802.3at-Type 2)
	Max. Power Consumption	Max. 25W
	Working Temperature	-40 °C ~ 70 °C
	Working Humidity	≤95% RH
	Atmospheric pressure	80 kPa ~ 106 kPa
	Window Glass	Strong Tempered Glass
	Ingress Protection	IP68
	Corrosion Resistant	Sprayed with Oxygen, Hydrogen Sulphide, Carbon Dioxide and Nitrogen
	Surge Protection	TVS4000V
	Reset Button	Supported
	Dimensions	416.5x166x258 mm
Net Weight	12 kg	

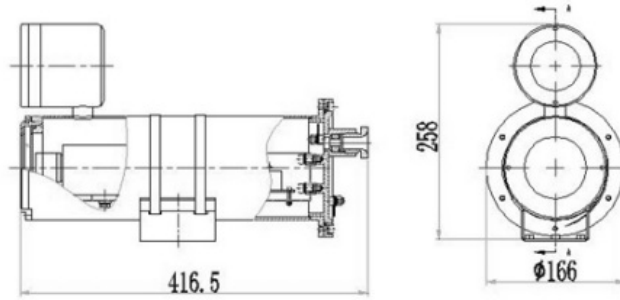
2MP CORROSION PROOF BULLET CAMERA



ENC-HBU5M-120R-27

MODEL	Model No.	ENC-HBU5M-120R-27
	Type	2MP CORROSION PROOF BULLET CAMERA

Dimension Unit : mm



ORDERING INFORMATION

Part Number	Description	Standard Quantity
ENC-HBU5M-120R-27	2MP SS316L Corrosion Proof IR IP H.265 Bullet Camera with 5 to 50mm Motorized Lens, PoE, SD Card Slot, WDR, Smart Analytics and 120m IR Support	1
ENB-BZUW68	Wall Mount Bracket for Eyenor Explosion / Corrosion Proof Bullet Camera	1
ENB-BZUV68	Pole Mount Bracket for Eyenor Explosion / Corrosion Proof Bullet Camera	1
ENB-BZUH68	Corner Mount Bracket for Eyenor Explosion / Corrosion Proof Bullet Camera	1
ENA-EXH010	1 Meter Explosion / Corrosion Proof Hose for Eyenor Explosion / Corrosion Proof Camera	1
ENA-EXH015	1.5 Meter Explosion / Corrosion Proof Hose for Eyenor Explosion / Corrosion Proof Camera	1
ENA-EXH020	2 Meter Explosion / Corrosion Proof Hose for Eyenor Explosion / Corrosion Proof Camera	1

PACKING INFORMATION

Part Number	Packing Mode	Gross weight(Kg)	Dimension(mm)
ENC-HBU5M-120R-27	Carton Box	-	-