

IP DUAL SENSOR THERMAL PTZ CAMERA



ENC-HHP7Z-300R-35

FEATURES

640x512 VOx Uncooled Focal Plane Detector

Sensitivity $\leq 40\text{mK}$

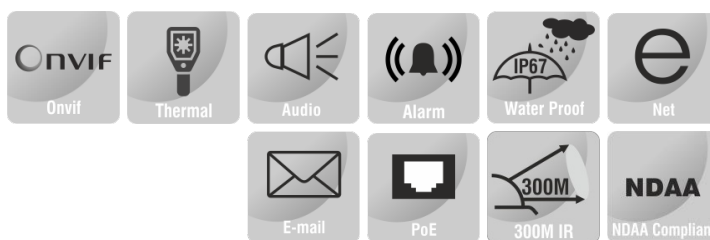
25 mm Motorized Focus Lens

Areas / Spot / Line Temperature Measurement Rule Support

17 Color Patterns Support

Electronic Image Stabilization

IP67, PoE++



SPECIFICATION

MODEL	Model No.	ENC-HHP7Z-300R-35
THERMAL CAMERA	Type	IP DUAL SENSOR THERMAL PTZ CAMERA
	Detector Type	Uncooled VOx Focal Plane Arrays
	Effective Pixels	640x512 and Image can be scaled up to 1920x1080
	Pixel Size	12um
	Thermal Sensitivity (NETD)	$\leq 40\text{ mK}$
	Spectral Range	8 ~ 14um
	Image Settings	Brightness, Sharpness, Contrast, 2D/3D DNR, Mirror / Flip, FFC
	Color Palettes	White & Black Hot, Ironbow, Rainbow etc. up to 17 modes
	Iris	Auto Fixed IRIS
	THERMAL LENS	Lens
Focus Control		Motorized Focus
Focal Length		25 mm
F No		1.0
Angle of View		17.0° (H), 14.0° (V)
Detection Distance		Human(1.8 x0.5m): 735 m ; Vehicle(4 x1.5m): 2255 m; Fire(1 x1m): 735 m
Recognition Distance		Human(1.8 x0.5m): 184 m ; Vehicle(4 x1.5m): 564 m; Fire(1 x1m): 245 m
Identification Distance		Human(1.8 x0.5m): 92 m ; Vehicle(4 x1.5m): 282 m; Fire(1 x1m): 123 m

IP DUAL SENSOR THERMAL PTZ CAMERA



ENC-HHP7Z-300R-35

MODEL	Model No.	ENC-HHP7Z-300R-35
	Type	IP DUAL SENSOR THERMAL PTZ CAMERA
VISIBLE CAMERA	Image Sensor	1/1.8" Sony CMOS
	Max Resolution	2688 x 1520
	Focal Length	6.27 ~ 251 mm
	Optical Zoom	40x
	Digital Zoom	16x
	Focus Control	Auto / Semi Auto / Manual
	Max Aperture	F1.5 ~ F4.8
	Shutter Speed	1s ~ 1/100,000s, Auto / Manual
	Min. illumination	Color: 0.001 lux @ F1.5, B/W: 0.0001 lux, 0 lux with IR
	AGC	Auto / Manual
	Angle of View (H)	60.7° ~ 2.3°
	Angle of View (V)	36.8° ~ 1.3°
	Angle of View (D)	70.9° ~ 2.6°
	S/N Ratio	≥55dB
WDR	120dB	
Smart IR	Up to 300 m	
VIDEO	Video Compression	H.265+, H.265, H.264, MJPEG
	Frame Rate	Main Stream: Thermal: (1920×1080, 1280×1024, 1280×720, 640×512) @25fps; Visible: (2688×1520, 2560×1440, 2304×1296, 1920×1080, 1280×720) @25/30fps Sub Stream: Thermal: (D1, VGA, 640×512, CIF) @25/30fps; Visible: (D1, VGA) @25/30fps
	Bit Rate Control	CBR/VBR
	Bit Rate	Thermal: 100 Kbps ~ 12 Mbps Visible: 100 Kbps ~ 16 Mbps
	Defog	Supported
	OSD	Supported
	OSD Type	Title, Week, Date, Time, Text with different colors and adaptable sizes (Small / Medium / Big), Image overlay
	ROI	Up to 8 regions
	Privacy Masking	Up to 40 regions (each scene up to 8)
	AUDIO	Audio Compression
Audio Bitrate		64kbps, 128kbps
Audio I/O		1/1
TEMPERATURE	Detection Mode	Spot, Line, Area (Total 20 Rules - 1 Full Screen and 19 others)
	Alarm	Over/Difference Alarm
	Accuracy	±8°C
	Response Time	≤ 30ms
	Measurement range	-20°C ~ 150°C
INTERFACE	Protocols	TCP/IP, UDP, IPv4, IPv6, ICMP, HTTP, HTTPS, FTP, DHCP, DNS, DDNS, RTP/RTCP, RTSP, PPPoE, NTP, UPnP, SMTP (SSL/TLS), IGMP, 802.1x, QoS, Multicast, SNMP, ARP
	Security	AES Video Encryption, IP Filter, User Authentication (Multiple Privilege Level), Digest Authentication, User Access Log
	Compatibility	ONVIF (Profile S, G, T), CGI / SDK
	Network	1x RJ45 10M/100M Self Adaptive Ethernet Port
	Serial Interface	1xRS485
	BNC	Supported
	Edge Storage	SD card slot, up to 256 GB
	Alarm Interface	7 Input / 2 Output
	Heater	Supported
	Fan	Supported
	Max. User	10
	Client Application	EyeGuard
	Wiper	Supported
SMART	Behaviour Detection	Intrusion (Perimeter), Crossline (Tripwire), Double Crossline (Double Tripwire)
	Intelligent Identification	Loitering, Region Entry / Exit
	Statistical Analysis	Wrong Way Detection, People Counting, Human / Vehicle Detection, Smoke and Fire Detection
	Alarm Management	Motion Detection, Disk Full Alarm, Temperature Alarm, Input / Output Alarm, IVS Alarm
	Alarm Notification	E-mail, HTTP, FTP, SD card & Alarm Out (Event Notification/ Recording/ Snapshot upload through E-mail, HTTP, FTP & SD card)

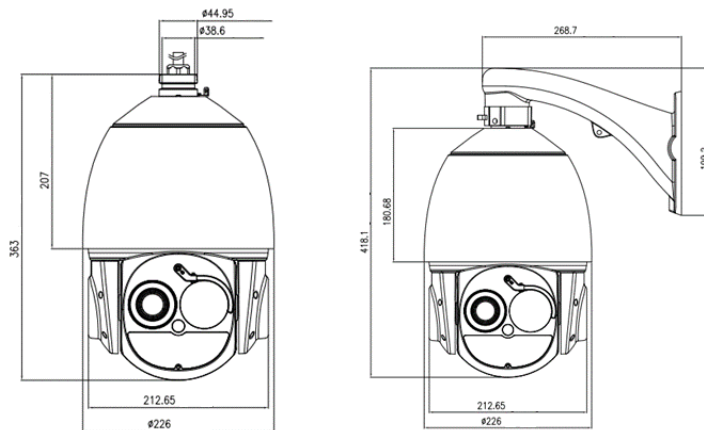
IP DUAL SENSOR THERMAL PTZ CAMERA



ENC-HHP7Z-300R-35

MODEL		ENC-HHP7Z-300R-35
Type		IP DUAL SENSOR THERMAL PTZ CAMERA
PAN AND TILT	Pan Range	0° ~ 360° (Endless)
	Pan Speed	Pan Manual Speed: 0.01° ~ 300°/s, Pan Preset Speed: 300° /s
	Tilt Range	-10° ~ +90°
	Tilt Speed	Tilt Manual Speed: 0.01° ~ 240° /s, Tilt Preset Speed: 240° /s
	Preset Accuracy	± 0.2°
	Number of Presets	400
	PTZ Mode	12 Scan, 12 Patrol, 6 Track (32 Preset per Patrol)
	Speed Setup	Auto/Manual (0-8)
	Power Off Memory	Supported
	Idle Motion	Activate Preset/ Scan/Tour/Pattern if there is no command in the specified period
GENERAL	Power Supply	DC 36V(Default)/ AC 24V, PoE++(IEEE 802.3bt)
	Max. Power consumption	45 W
	Working Temperature	-40 °C ~ 60 °C
	Working Humidity	≤95% RH
	Casing	Metal
	Ingress Protection	IP67
	Surge Protection	TVS6000V
	Reset Button	Supported
	Dimensions	φ226×363 mm
	Weight	6 Kg

Dimension Unit : mm



ORDERING INFORMATION

Part Number	Description	Standard Quantity
ENC-HHP7Z-300R-35	4MP IP Dual Sensor Temperature Detection Thermal PTZ Camera with Visible Lens of 40X Optical Zoom and Thermal Imaging Camera with 640*512 Thermal Resolution, 300m IR support, PoE++ and SD Card Slot Support	1

PACKING INFORMATION

Part Number	Packing Mode	Gross weight(Kg)	Dimension(mm)
ENC-HHP7Z-300R-35	Carton Box	-	-