

2MP IP MINI PIN HOLE CAMERA



ENC-HMP5F-00R-74

FEATURES

2.8 mm (Optional 2.1mm) Fixed lens

ONVIF

Triple streams

Audio & Alarm Support



SPECIFICATION

MODEL	Model No.	ENC-HMP5F-00R-74
	Type	2MP IP MINI PIN HOLE CAMERA
CAMERA	Image Sensor	1/2.8" Progressive Scan CMOS
	Day/Night	IR Cut Filter with Auto Switch
	Lens Type	Pinhole lens, Fixed-focal
	Focus	Auto / Manual
	Iris Type	Fixed
	Focal Length	2.8 mm (Optional 2.1 mm)
	Angle of View (H)	H: 113.9° (2.1 mm - H: 135.1°)
	Angle of View (V)	60.2° (2.1 mm - V: 75.6°)
	Aperture Range	F2.0
	Electronic Shutter	Auto/Manual, 1/5 ~ 1/20,000s
	Min. illumination	Color: 0.01 Lux @ F2.0, B/W: 0.001 Lux, 0 lux with IR on
	AGC	Auto/Manual
	Digital Noise Reduction	2D/3D DNR
	S/N Ratio	55dB
Defog	Smart Defog	
WDR	120dB	
VIDEO	Max. Resolution	1920x1080
	Video Compression	H.265+, H.265, H.264, MJPEG
	Frame Rate	Main Stream : 1920x1080, 1280x960, 1280x720 @ 25/30fps Sub Stream : D1, VGA, 640x360, CIF, QVGA @ 25/30fps Third Stream : VGA, CIF, QVGA @ 25/30fps
	Video Bit Rate	100kbps ~ 6Mbps
	Bit Rate Type	CBR/VBR
	Image Settings	Brightness, Contrast, Saturation, Sharpness, Day/Night(Color, Mono, Auto), Flip/Mirror/Rotation, Multiple Scene & Profile
	White Balance	Supported
	Corridor Mode	Supported
	HLC/BLC	Supported
	Motion Detection	Supported
	OSD	Supported
ROI	Up to 8 regions	
Privacy Masking	Supported	

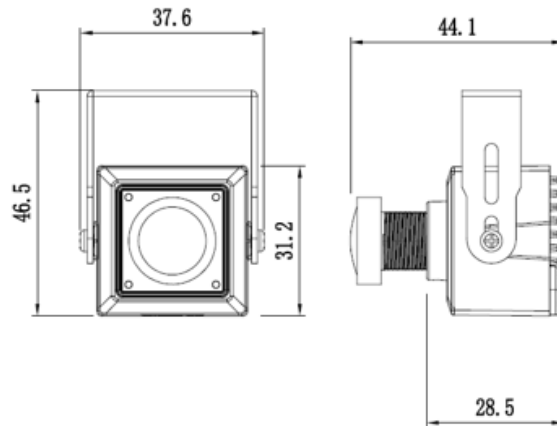
2MP IP MINI PIN HOLE CAMERA



ENC-HMP5F-00R-74

MODEL	Model No.	ENC-HMP5F-00R-74
	Type	2MP IP MINI PIN HOLE CAMERA
AUDIO	Audio Compression	G.711U/G.711A
	Audio Bit Rate	8Kbps ~ 64 Kbps
	Audio I/O	1/1
INTERFACE	Protocols	TCP/IP, UDP, IPv4, IPv6, HTTP, HTTPS, FTP, DHCP, DNS, RTSP, RTP, RTCP, PPPoE, NTP, UPnP, SMTP, 802.1x, ARP, SNMP, TLS/SSL
	Compatibility	ONVIF
	Network	1 RJ45 10/100M self adaptive Ethernet port
	Alarm Interface	2 Input / 1 Output
	Edge Storage	Built-in Micro SD Card Slot, Up to 256G
	Serial Interface	1xRS485
	ANR	Supported
	CVBS Output	Supported
	Max. User Access	32
	Client Application	EyeGuard
SMART	Behaviour Detection	Intrusion (Perimeter), Crossline (Tripwire), Double Crossline (Double Tripwire)
	Intelligent Identification	Loitering, Multi Loitering, Missing Object (Object Lost), Abandoned Object (Object Left)
	Statistical Analysis	Face Detection, Wrong Way Detection, Human & Vehicle Detection, Alarm triggering
GENERAL	Power Supply	DC12V
	Power Consumption	3W
	Working Temperature	-30°C ~ 55°C
	Working Humidity	<90% RH
	Casing	Metal
	Reset button	Supported
	Dimensions	37.6 x 44.1 x 46.5 mm
Net Weight	0.18 Kg	

Dimension Unit : mm



ORDERING INFORMATION

Part Number	Description	Standard Quantity
ENC-HMP5F-00R-74	2MP IP Mini Pin Hole Camera with 2.8mm (Optional 2.1mm) Fixed Lens, WDR , SD Card, & Smart Analytics	1

PACKING INFORMATION

Part Number	Packing Mode	Gross weight(Kg)	Dimension(mm)
ENC-HMP5F-00R-74	Carton Box	-	-