

CAT 6 SHIELDED TOOLLESS CONNECTOR

Category 6 Shielded Toolless Connectors exceed Category 6 long lasting high- performance and full support of all present and emerging applications, including 1000BASE-T (Gigabit-Ethernet). High quality overall shield provides excellent EMC (Electromagnetic Compatibility), minimizing radiation and maximizing noise immunity, ensures long term resistance to corrosion from humidity, extreme temperatures, and airborne contaminants. Tested up to 250 MHz over 100m. These are mainly used for patch-cord termination.



COMPLIANCE

IEEE 802.af, IEEE 802.3at for PoE applications.
ANSI/TIA-568-C.2 and ISO/IEC-11801 (2nd Edition)
EN50173-2 Category 6 Standards, IEC 60603-7-3

FEATURES

Tool-free RJ45 network connector.
For stranded and solid inner conductors (AWG 22 to 24).
Supports transmission rates on the order of gigabits .
Cable contacts marked in colour.

DESIGN & MATERIALS

Contact Carrier Material	High Impact, Flame-Retardant Plastic Compound, UL 94 V-0
Pin Material	Phosphor Bronze
Contact Surface Material	3µ Gold Plating
Contact Compatibility	Accommodates 26 to 23 AWG Solid

ELECTRICAL CHARACTERISTICS

Current Rating	1.5 Amps
Insulation Resistance	≥500MΩ
Contact Resistance	≤10mΩ
DC Resistance	≤ 0.1Ω
Dielectric Strength	DC 1000V /AC 750V 1 min
Return Loss @ 250 MHz	8.1 dB
Attenuation @ 250 MHz	21.7 dB
Next Loss @ 250 MHz	14.4 dB

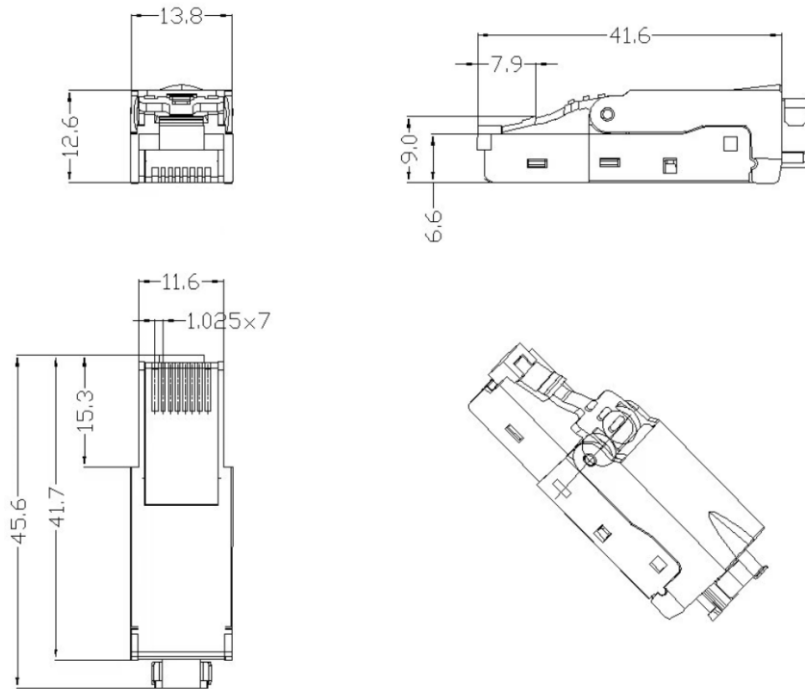
MECHANICAL CHARACTERISTICS

Plug Insertion Life	750 Cycles with FCC compliant RJ-45 PLUG
Durability	250 termination cycles
Operating Temperature	-20°C to +70°C
Storage Temperature	-40°C to 68°C
Operating Humidity	10% ~ 90%RH

CAT 6 SHIELDED TOOLLESS CONNECTOR



DRAWING



ORDERING INFORMATION

Part Number	Description
12T-32X	Category 6 Shielded Toolless Connector