

2MP EXPLOSION PROOF DOME CAMERA



ENC-HVD5M-40R-25

FEATURES

| |
|---------------------------------------|
| Starlight Illumination |
| 304/316L Stainless Steel Construction |
| 2.7-13.5 mm Motorized Lens |
| Smart IR up to 40 m |
| ONVIF Profile (S, G, T) |
| Triple Stream |
| Audio & Alarm Support |
| PoE, IP68 |
| ATEX Complied |



SPECIFICATION

| MODEL | Model No. | ENC-HVD5M-40R-25 |
|------------|-------------------------|---|
| | Type | 2MP EXPLOSION PROOF DOME CAMERA |
| CAMERA | Image Sensor | 1/2.8" CMOS Progressive 2.0 MegaPixel |
| | Day/Night | IR Cut Filter with Auto Switch |
| | Lens Type | Motorized |
| | Focal Length | 2.7-13.5 mm |
| | Iris | DC Auto Iris |
| | Lens Mount | Ø14 |
| | Angle of View (H) | 102.8° ~ 31.3° |
| | Angle of View (V) | 57.3° ~ 17.6° |
| | Angle of View (D) | 117.6° ~ 35.9° |
| | Aperture Range | F1.6 ~ F3.3 |
| | Shutter | 1s to 1/100,000s |
| | Min. Illumination | Color: 0.001 lux @ F1.6, B/W: 0 lux with IR |
| | AGC | Auto / Manual |
| | Digital Noise Reduction | 2D / 3D DNR |
| S/N Ratio | 55 dB | |
| Defog | Smart Defog | |
| WDR | 120 dB | |
| Smart IR | Up to 40 m | |
| Wavelength | 850 nm | |

★Product specification and availability are subject to change without notice.

2MP EXPLOSION PROOF DOME CAMERA



ENC-HVD5M-40R-25

| MODEL | | ENC-HVD5M-40R-25 |
|--------------|----------------------------|--|
| | Model No. | ENC-HVD5M-40R-25 |
| | Type | 2MP EXPLOSION PROOF DOME CAMERA |
| VIDEO | Max. Resolution | 1920x1080 |
| | Video Compression | H.265+, H.265, H.264, MJPEG |
| | Frame Rate | Main Stream: (1920x1080, 1280x720, 704x576) @ 25/30fps Second Stream: (1920x1080, 1280x720, 704x576) @ 25/30fps Third Stream: (640x480, 352x288, 320x240, 176x144) @ 25/30fps |
| | Stream Settings | i-Frame, PAL/NTSC, Frame Rate (1~30FPS) |
| | Video Bit Rate | 32 kbps ~ 8 Mbps |
| | Bitrate Type | CBR, VBR |
| | Image Settings | Brightness, Contrast, Saturation, Hue, Sharpness, Rotation/Mirror, Gain, Exposure, Day/Night |
| | White Balance | Auto, Semi Auto, Sunshine, Daylight, Warm Light, Filament, Nature Light, Lock WB, Manual |
| | Corridor Mode | Supported |
| | HLC | Supported |
| | BLC | Supported |
| | OSD | Total 8 regions |
| | OSD Type | Title, Week, Date, Time, Text with different colors and adaptable sizes (16x16, 32x32, 48x48, 64x64), Image overlay |
| | ROI | Up to 8 regions |
| Privacy Mask | Up to 4 regions | |
| AUDIO | Audio Compression | G.711A, G.711U, ADPCM_D, AAC_LC |
| | Audio Bit Rate | 8 kbps ~ 48 kbps |
| | Audio I/O | 1/1 |
| SMART | Behavior Detection | Intrusion (Perimeter), Crossline (Tripwire), Double Crossline (Double Tripwire) |
| | Intelligent Identification | Loitering, Running, Abandoned Object (Object Left), Missing Object (Object Lost), Parking |
| | Statistical Analysis | Face Detection (Capture), People Counting, Crowd Detection, On Duty Detection, Helmet Detection, Human & Vehicle Classification, Abnormal Video & Audio Detection |
| | Alarm Management | Motion Detection, Tampering (Masking), Input & Output Event, IP & MAC Address Conflict, Disk Alarm (Full & RW Error), FTP Server Exception, Abnormal Voltage, Pre/Post Alarm Recording, Alarm Recording/Snapshot |
| INTERFACE | Protocols | TCP/IP, UDP, IPv4, IPv6, ICMP, HTTP, HTTPS, FTP, NFS, DHCP, DNS, DDNS, RTP, RTSP, RTCP, RTMP, PPPoE, NTP, UPnP, SMTP (SSL/TLS), IGMP, 802.1X, QoS (DSCP), Unicast, Multicast, ARP, SNMP, SSL, SFTP (SSH), P2P |
| | Security | AES Video Encryption, IP Filter, User Authentication (Multiple Privilege Level), 802.1X Authentication (EAP-MD5), HTTPS Authentication, Digest Authentication, User Access Log |
| | Compatibility | ONVIF Profile (S, G, T), SDK/API/CGI |
| | Network | 1 x RJ45 10M/100M Self Adaptive Ethernet Port |
| | Alarm Interface | 1/1 |
| | Edge Storage | Micro SD card slot, up to 256 GB |
| | ANR | Supported |
| | Cable Interface | Pig Tail |
| | Remote Connection | ≤8 |
| | Web Language | 15 |
| GENERAL | Power Supply | 12V DC, PoE (IEEE 802.3af) |
| | Max. Power Consumption | 10W |
| | Working Temperature | -40 °C ~ 70 °C |
| | Working Humidity | 0-95% RH |
| | Atmospheric pressure | 80 kPa ~ 110 kPa |
| | Vandal Resistant | IK10 |
| | Ingress Protection | IP68 |
| | Surge Protection | TVS4000V |
| | Reset Button | Supported |
| | Dimensions | ∅156 x 134 mm |
| Net Weight | 6.4 Kg | |

★Product specification and availability are subject to change without notice.

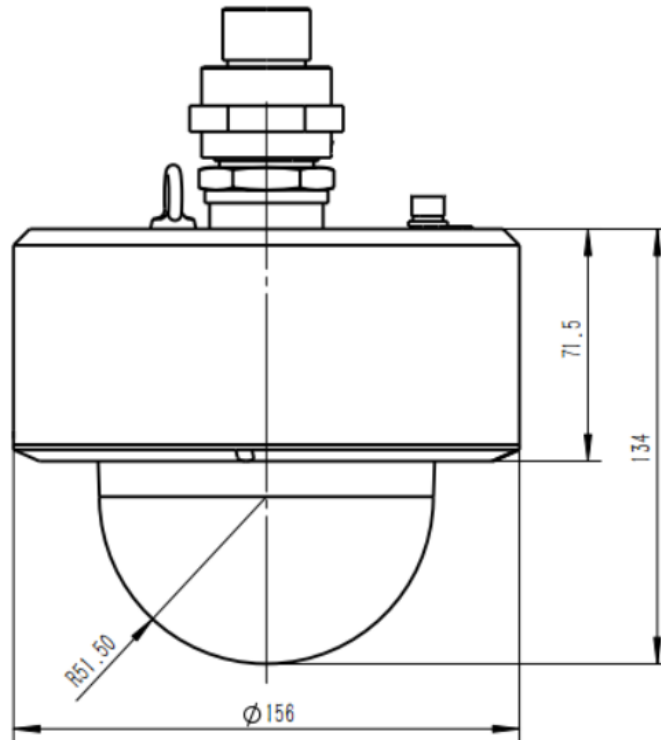
2MP EXPLOSION PROOF DOME CAMERA



ENC-HVD5M-40R-25

| | | |
|-------|-----------|---------------------------------|
| MODEL | Model No. | ENC-HVD5M-40R-25 |
| | Type | 2MP EXPLOSION PROOF DOME CAMERA |

Dimension Unit : mm



ORDERING INFORMATION

| Part Number | Description | Standard Quantity |
|------------------|---|-------------------|
| ENC-HVD5M-40R-25 | 2MP SS316L (optional SS304) Explosion Proof IR IP Dome Camera with 2.7 to 13.5mm Motorized Lens, PoE, SD Card 1 Slot, WDR, Smart analytics and 40m IR Support (Wall mount / Ceiling mount bracket included) | 1 |

PACKING INFORMATION

| Part Number | Packing Mode | Gross weight(Kg) | Dimension(mm) |
|------------------|--------------|------------------|---------------|
| ENC-HVD5M-40R-25 | Carton Box | - | - |